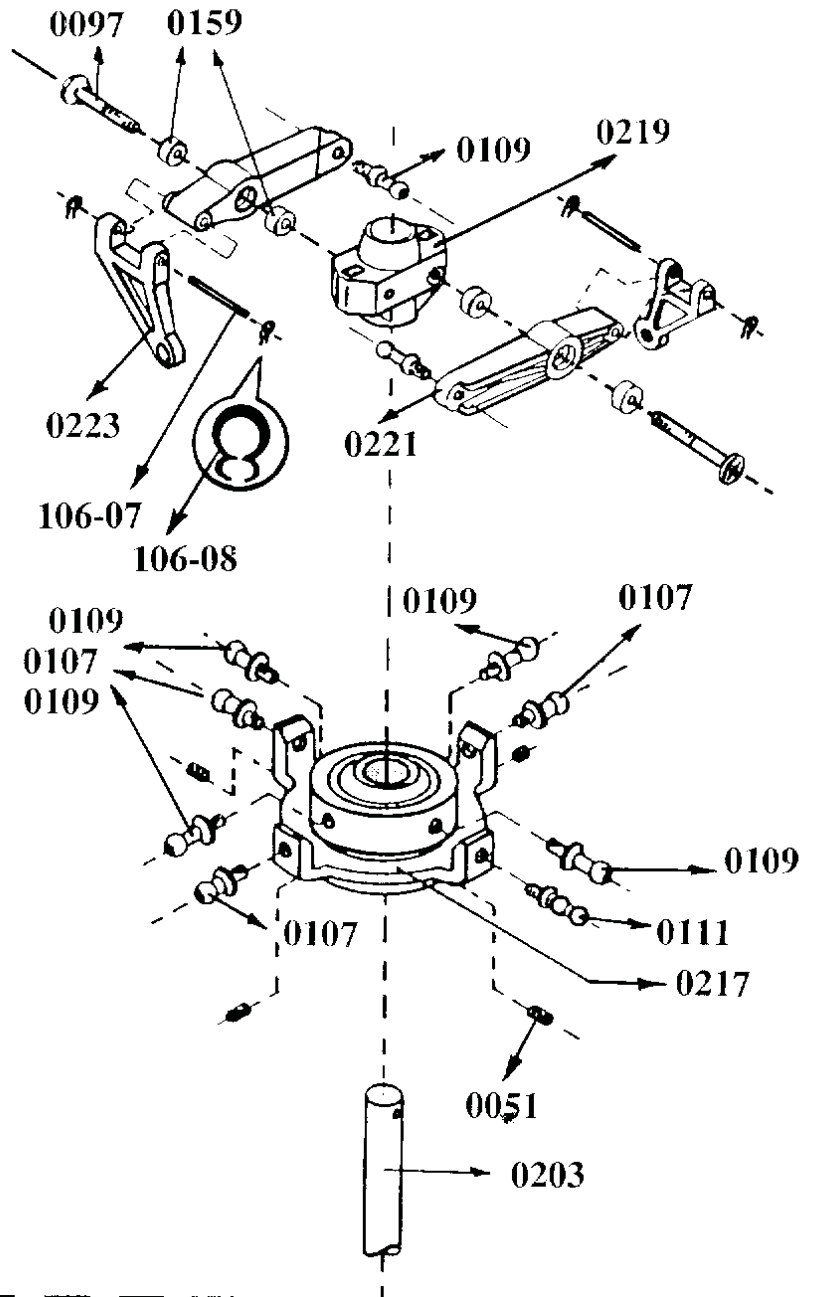
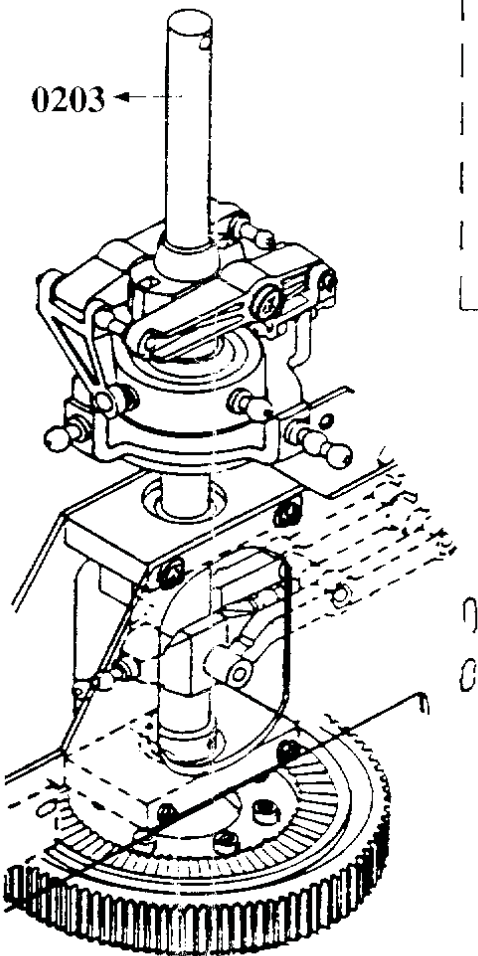
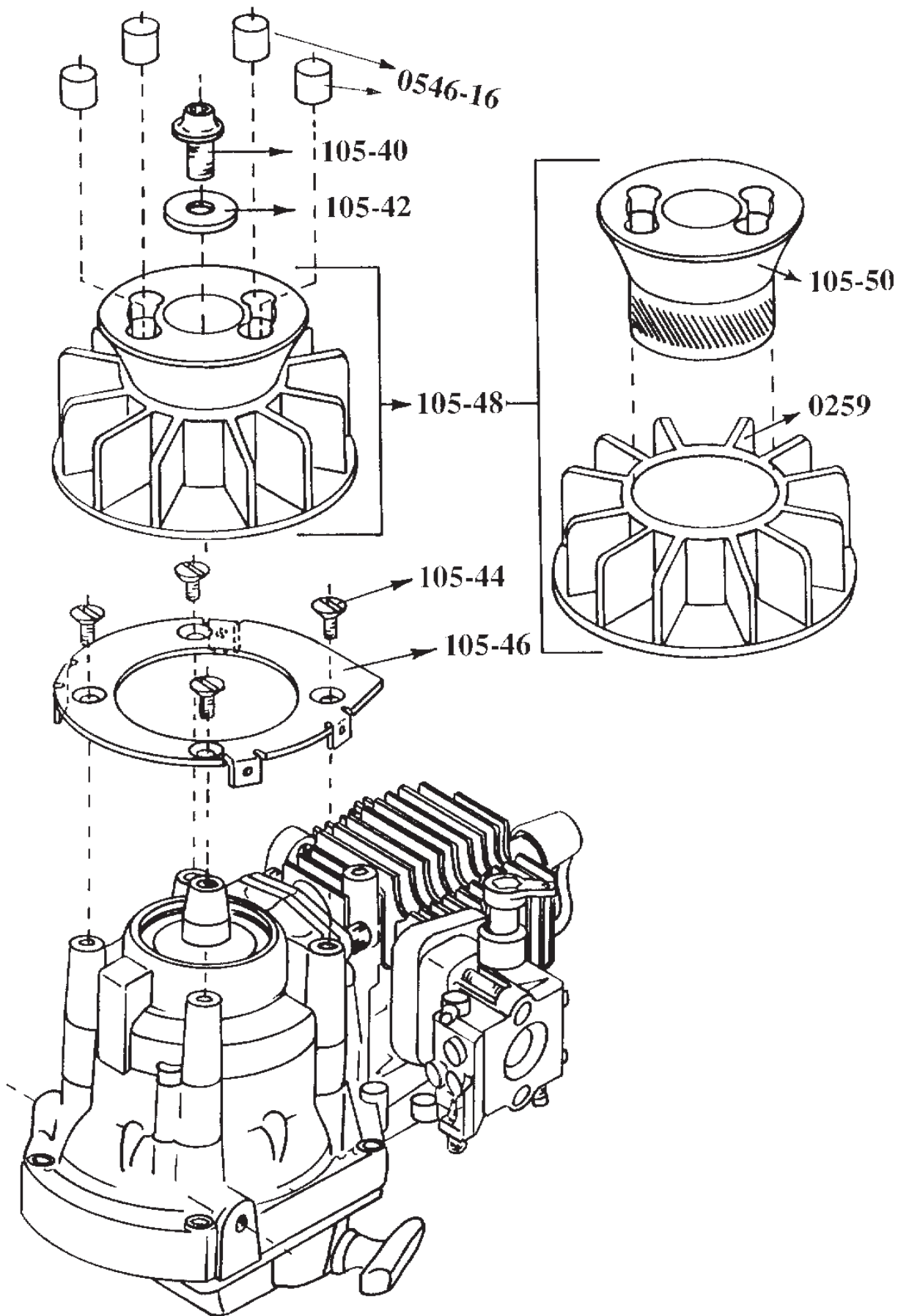
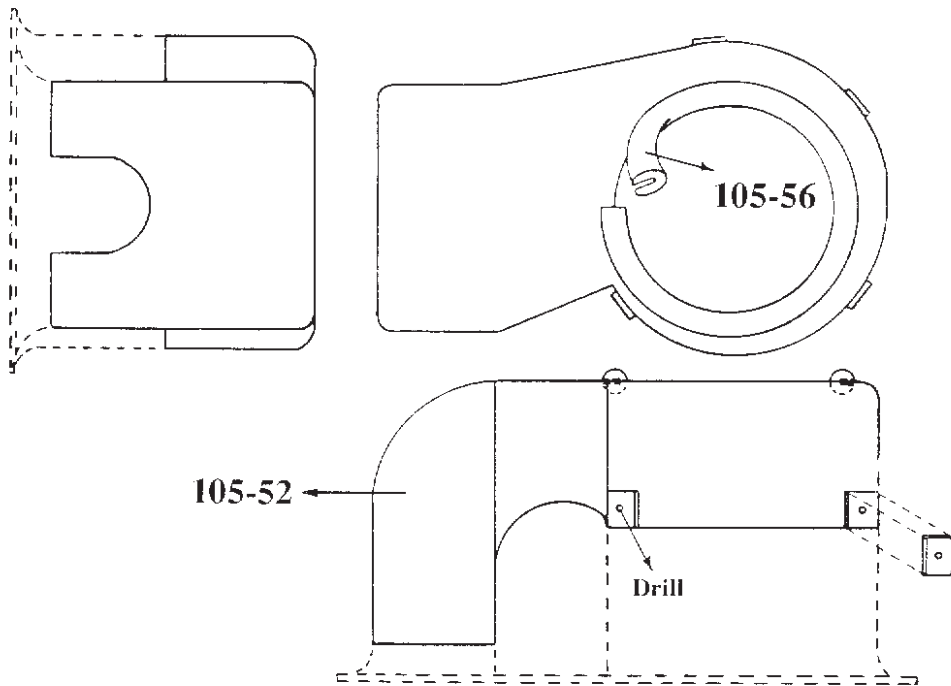
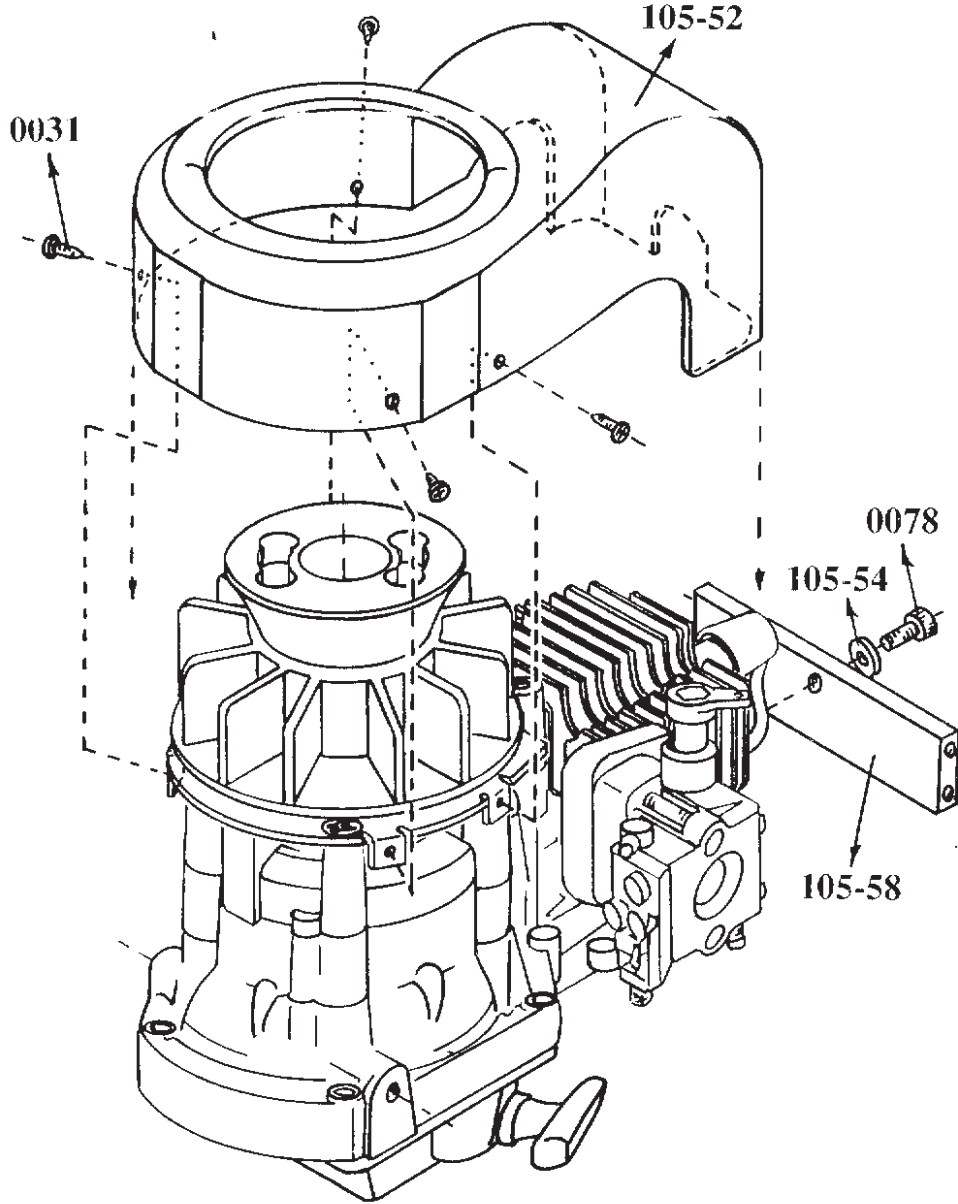
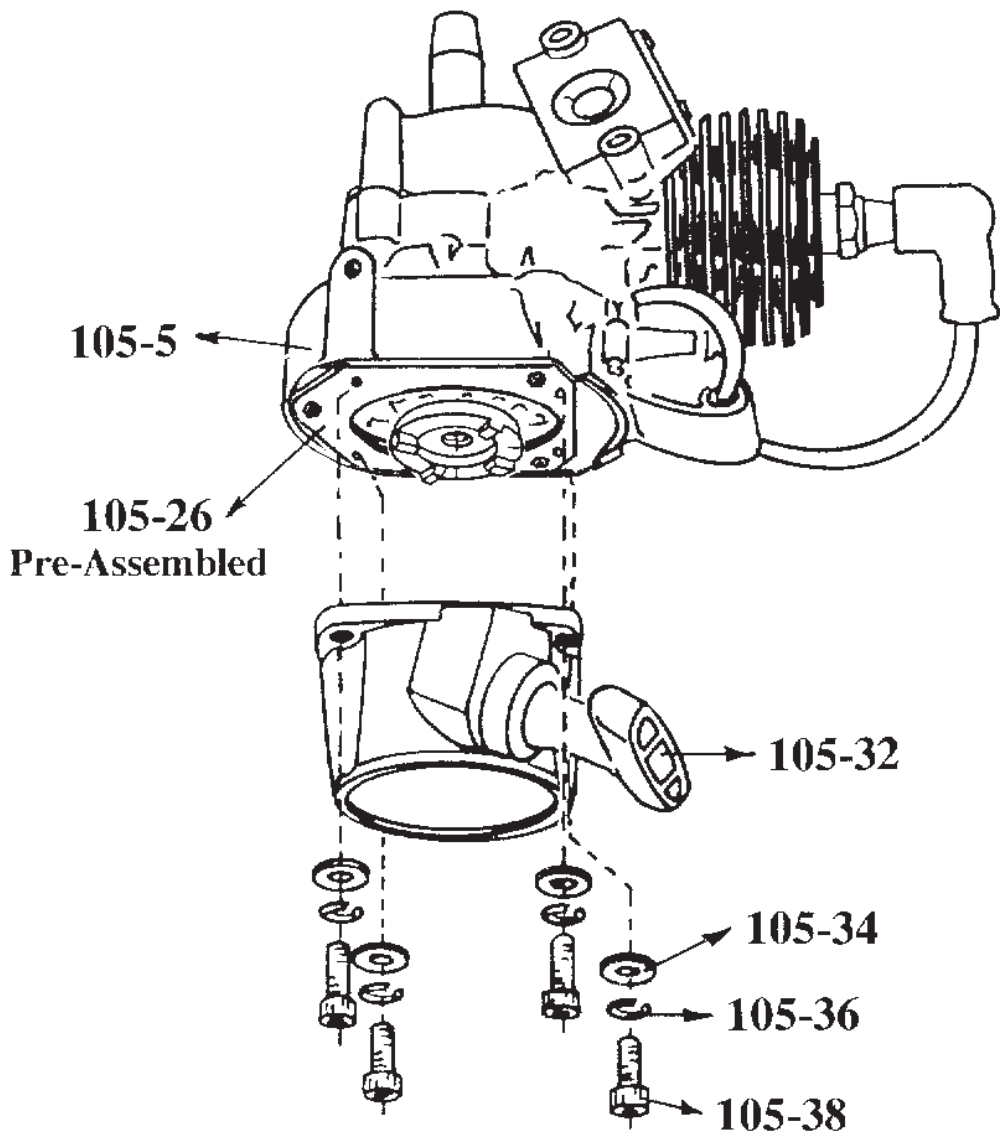


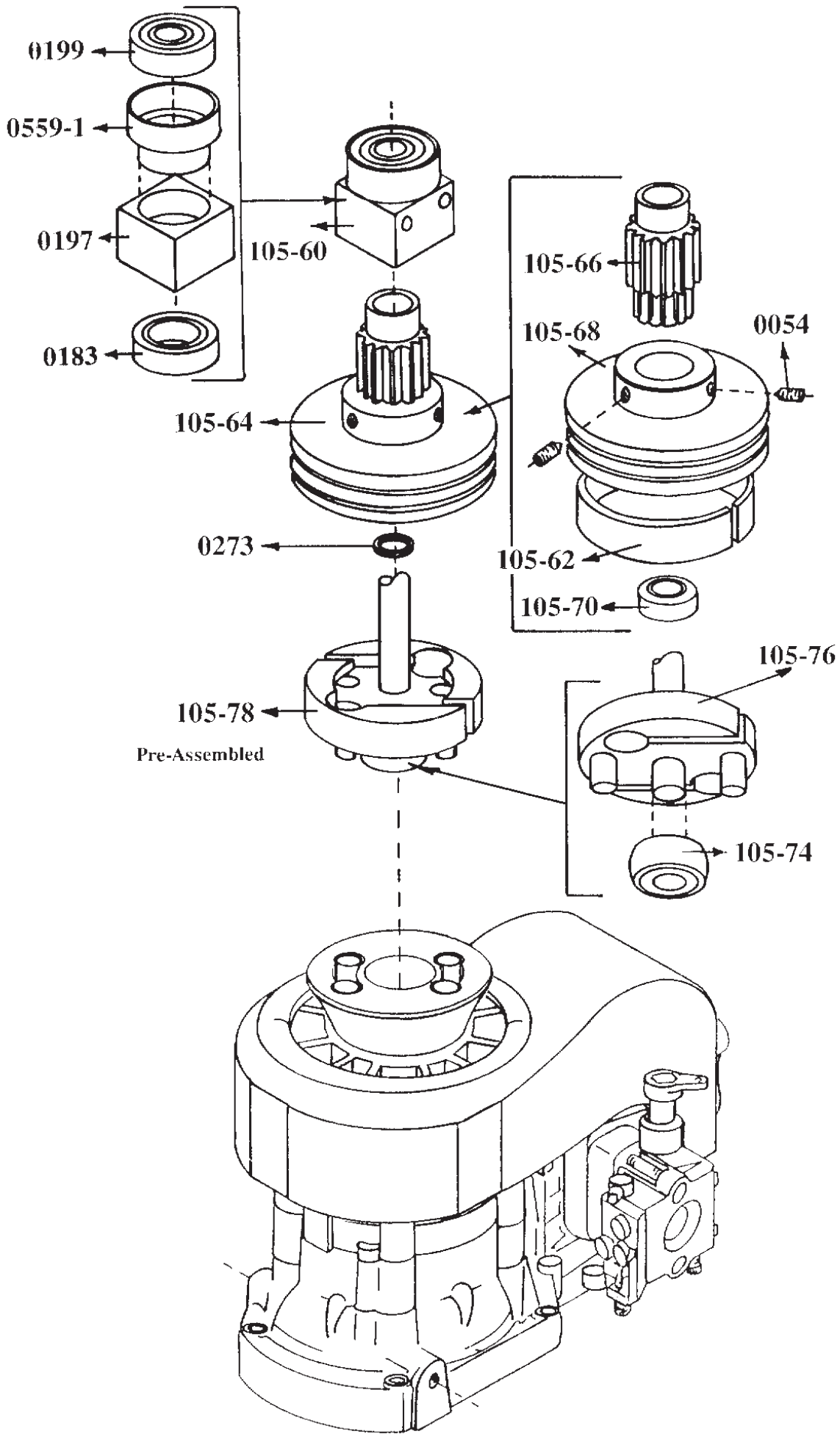
From Figure 3-1

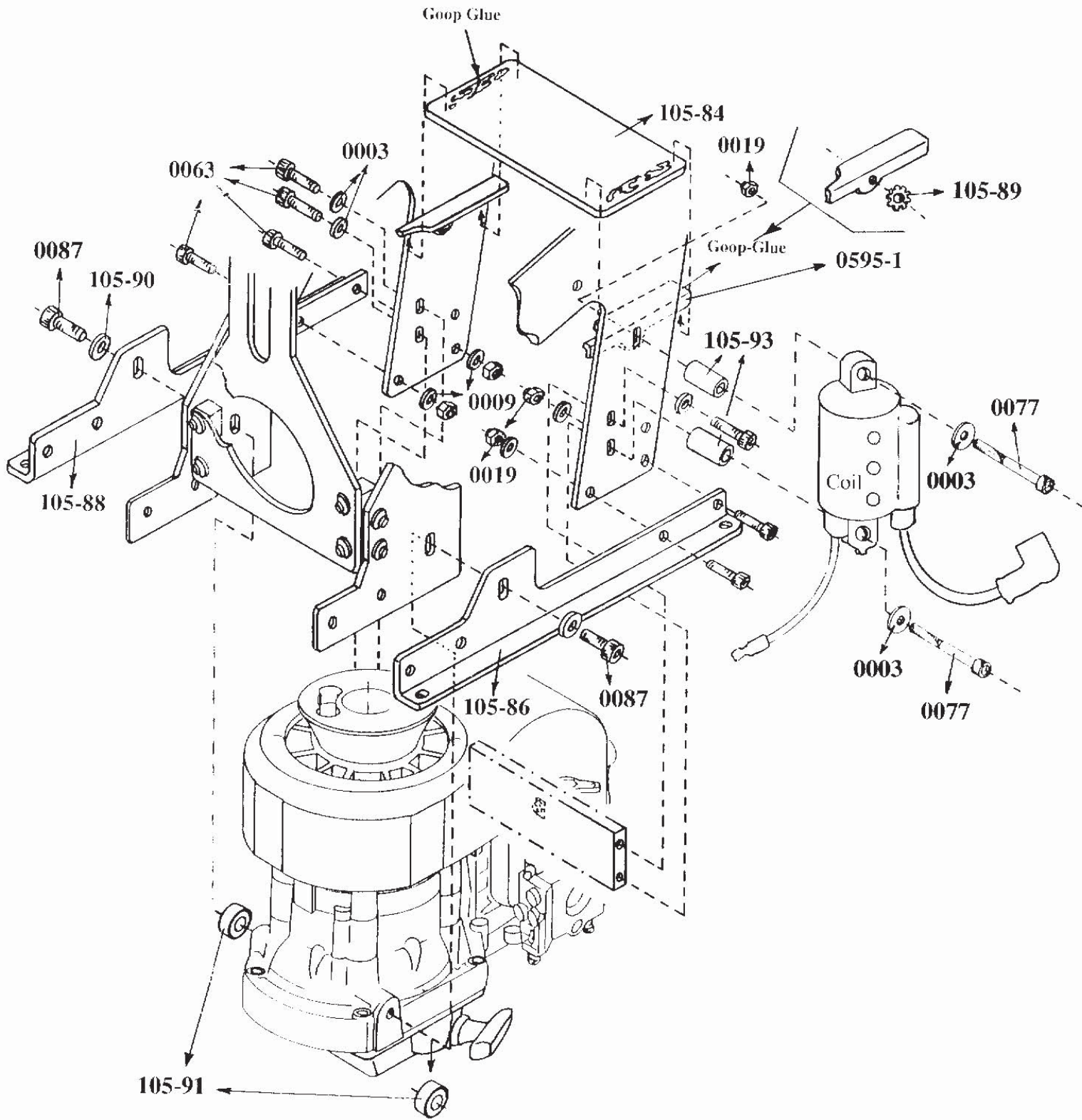


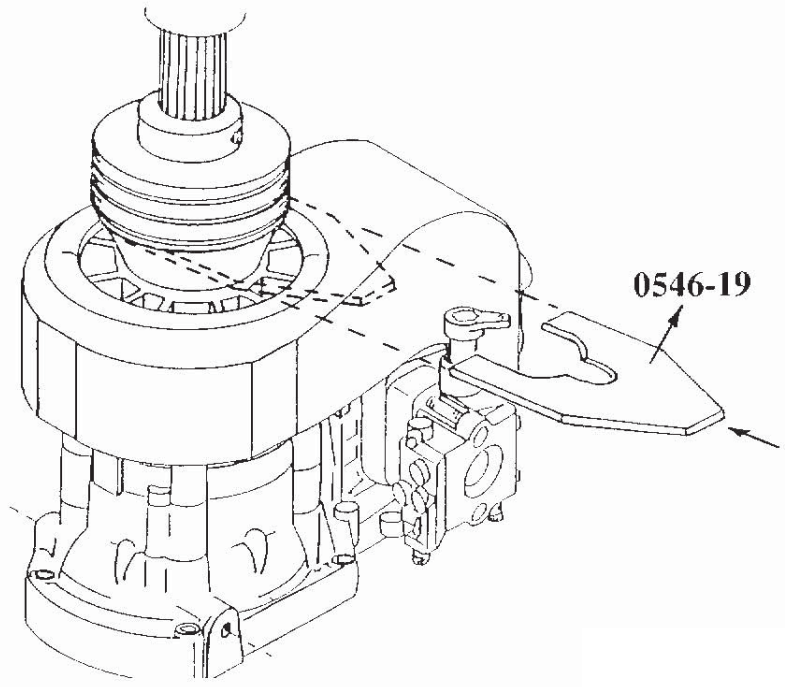
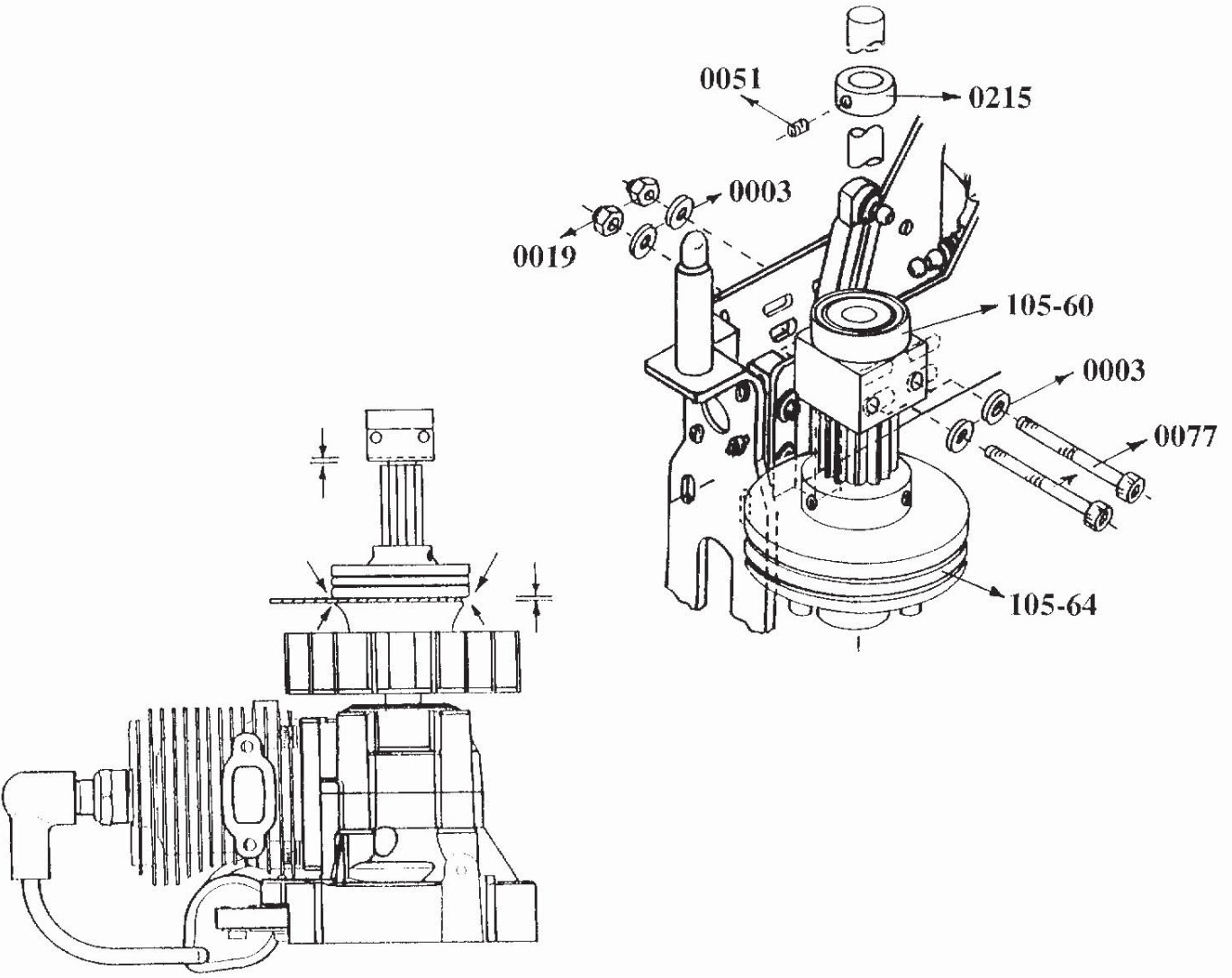


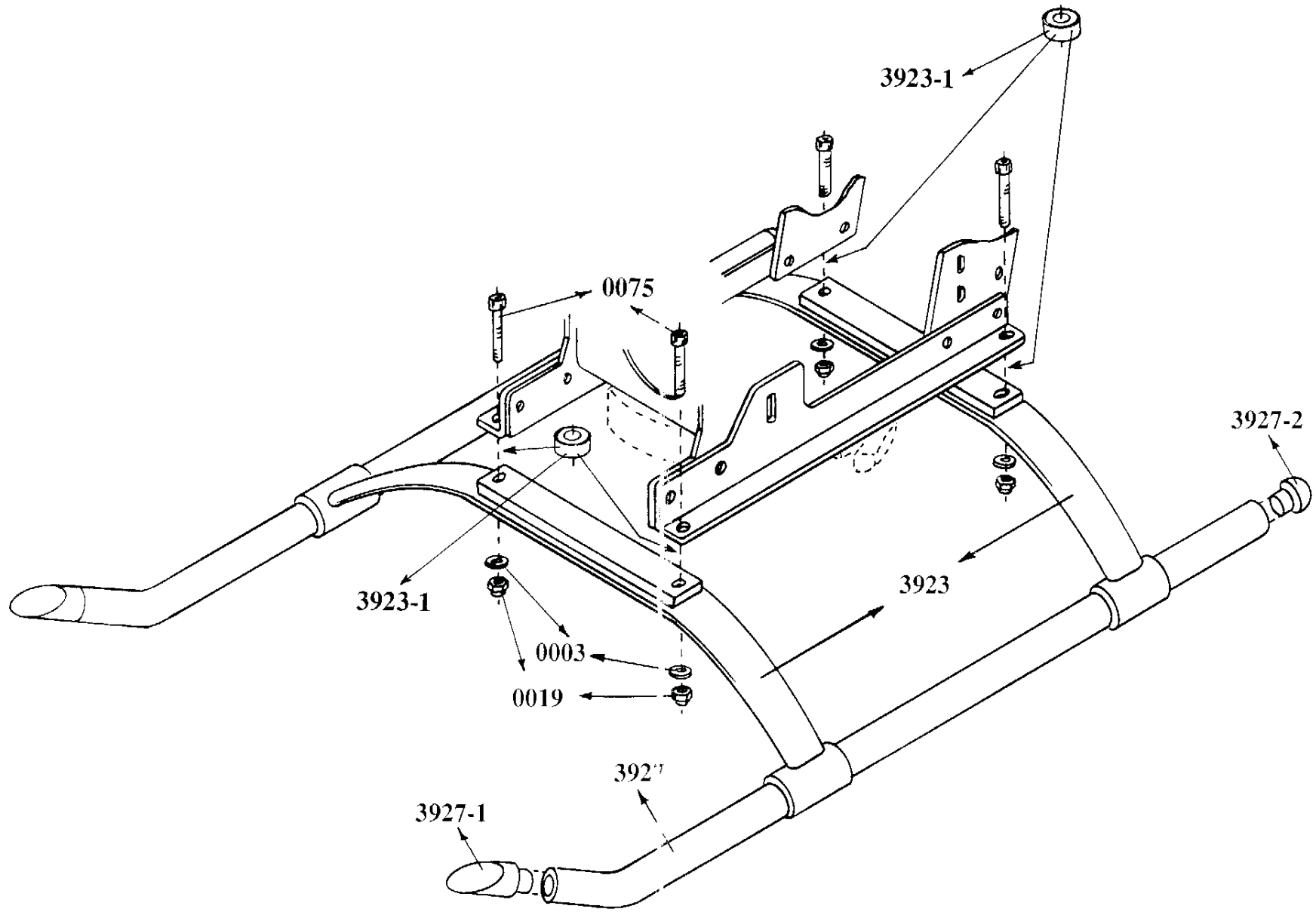


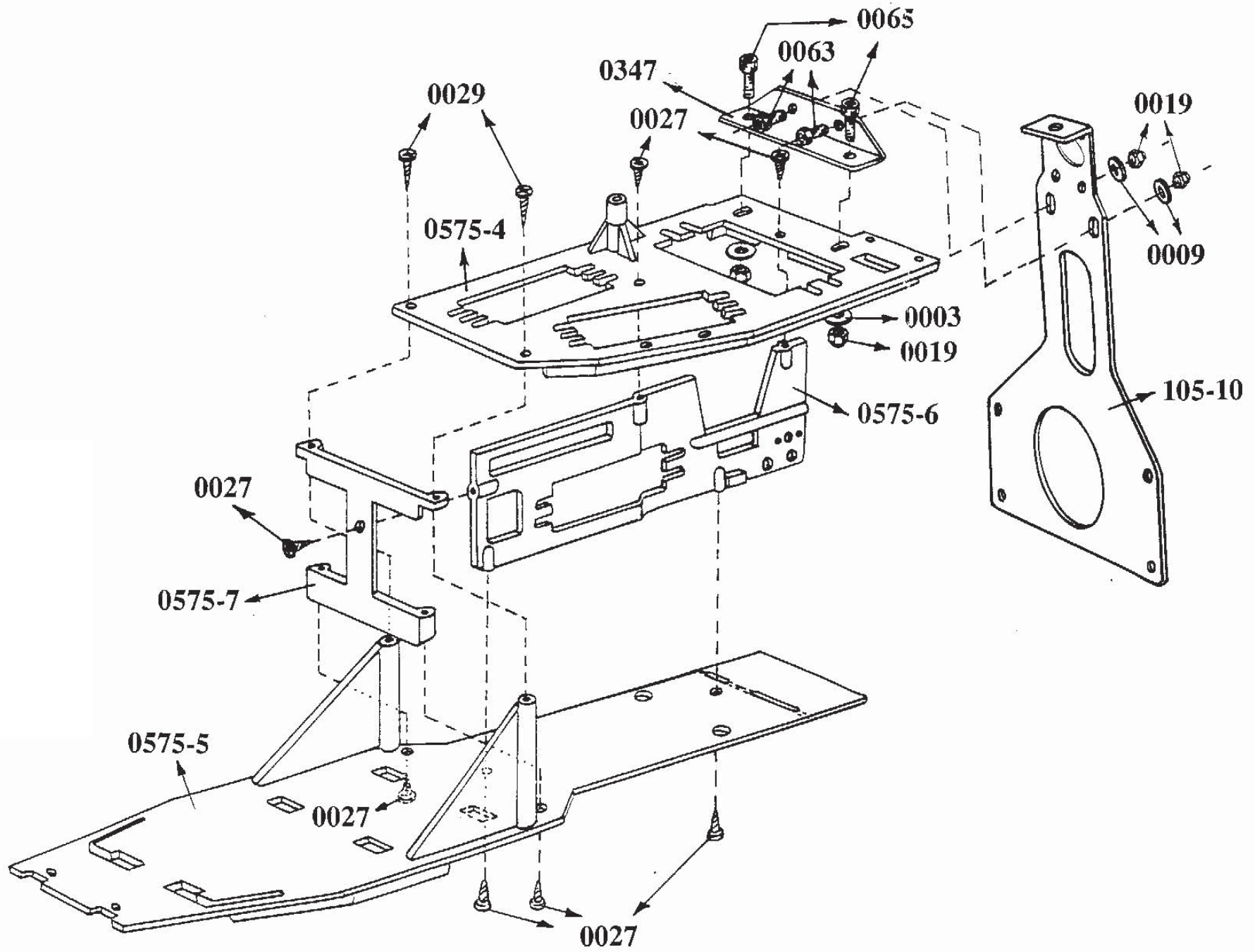


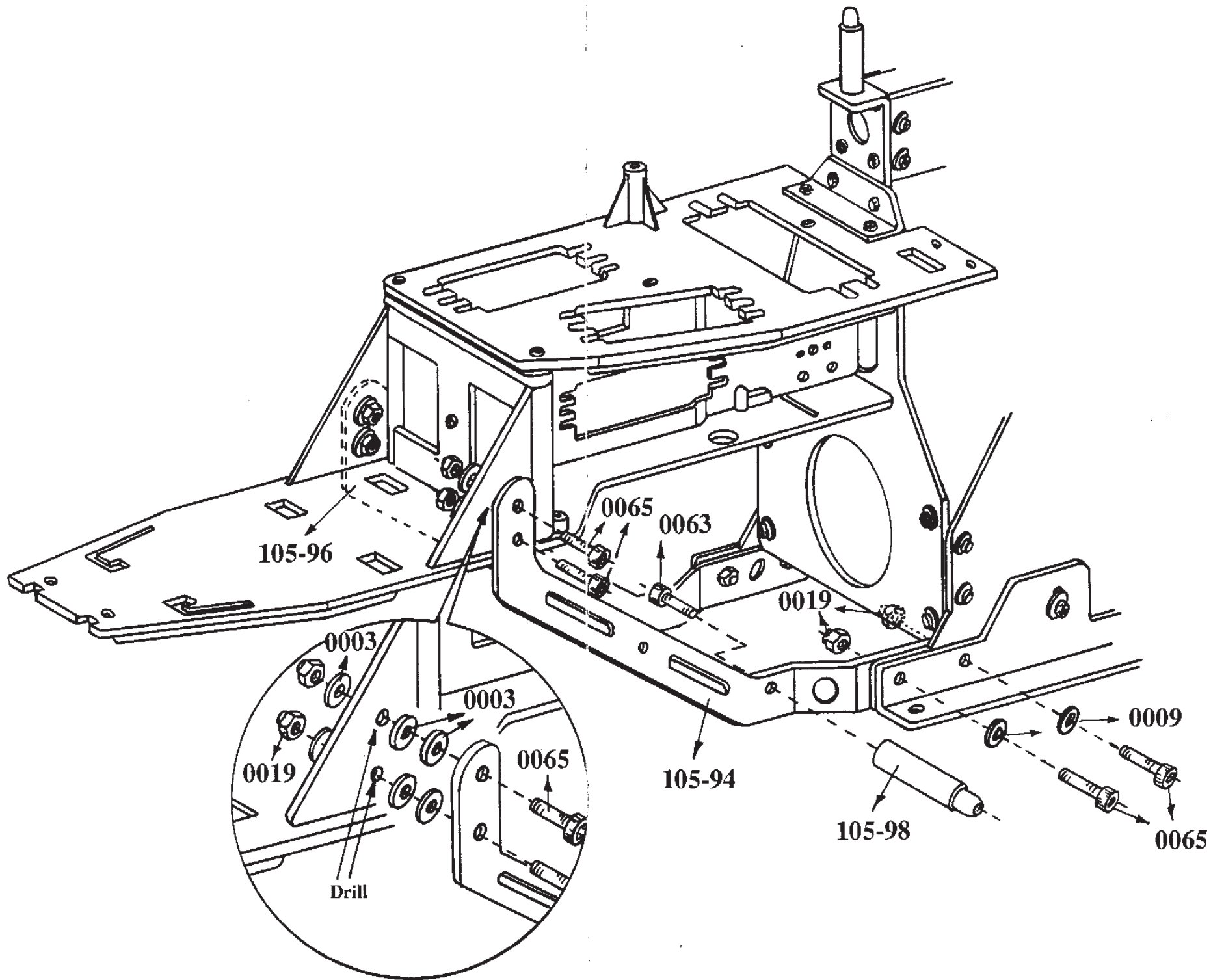




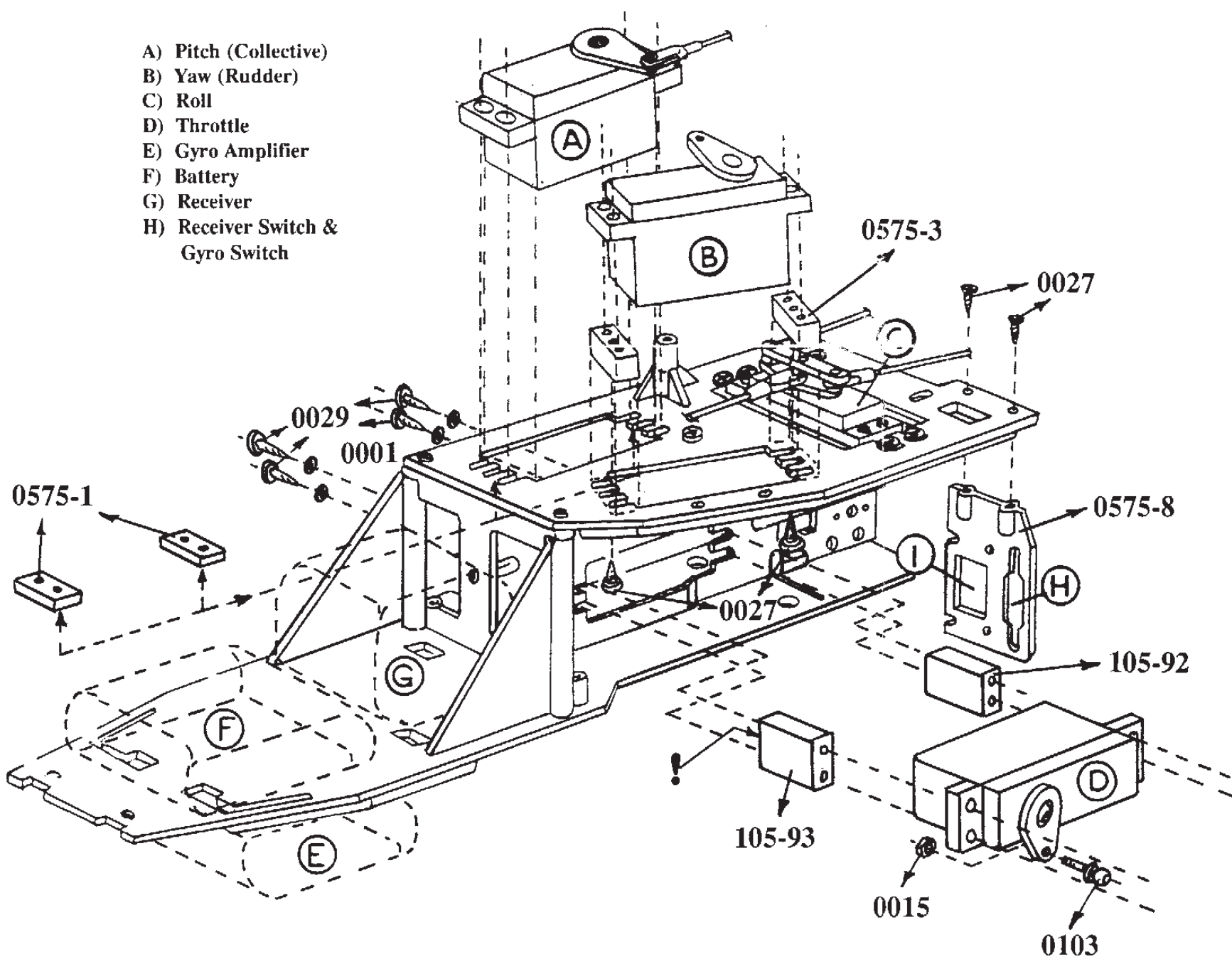


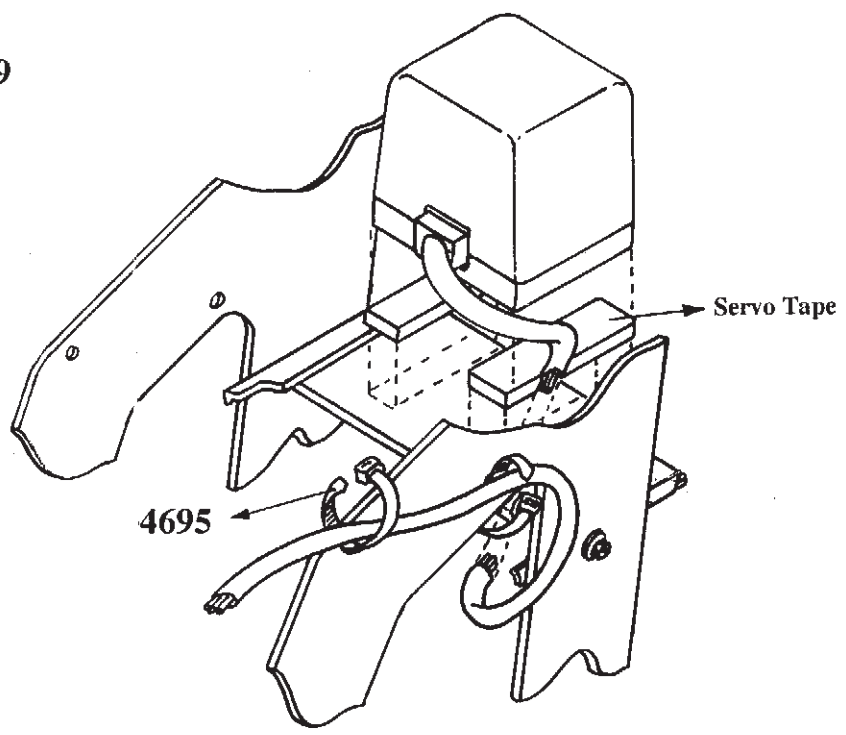
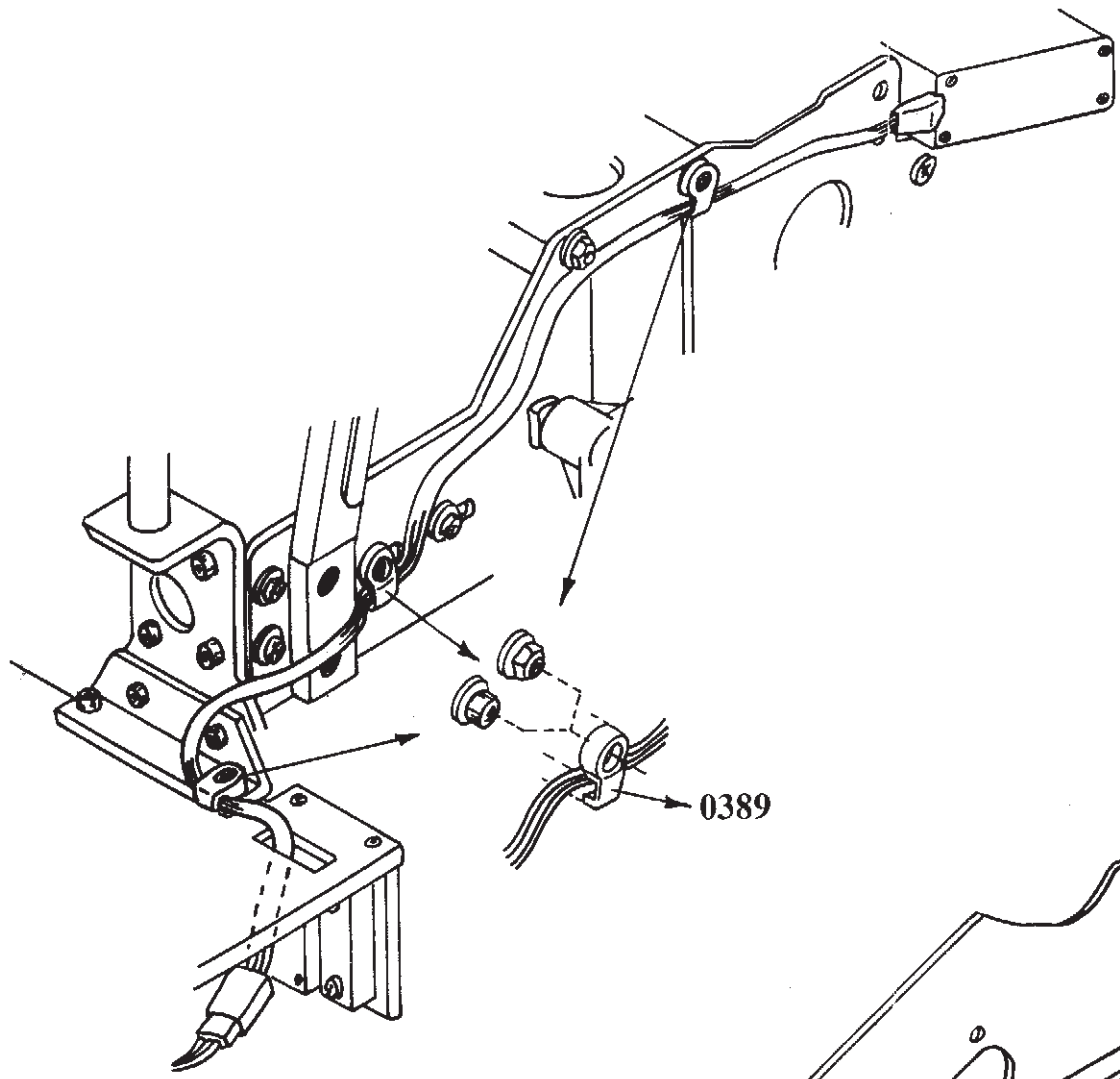


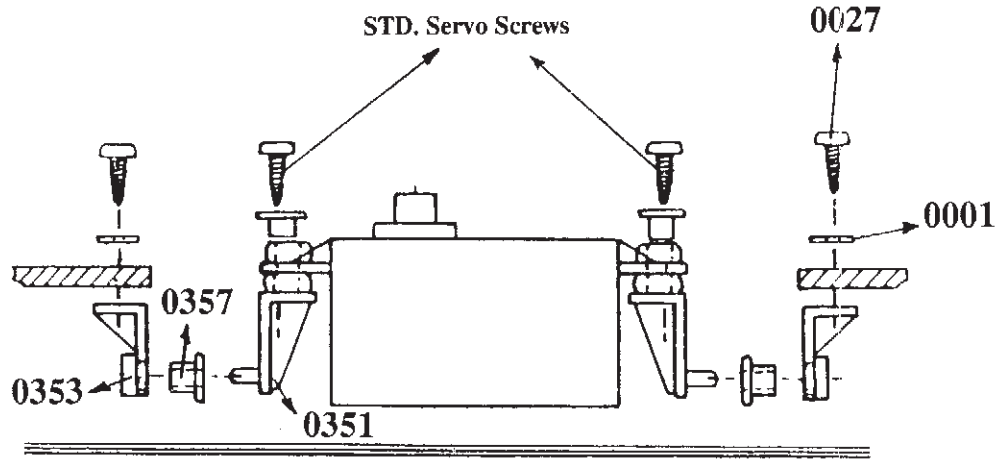
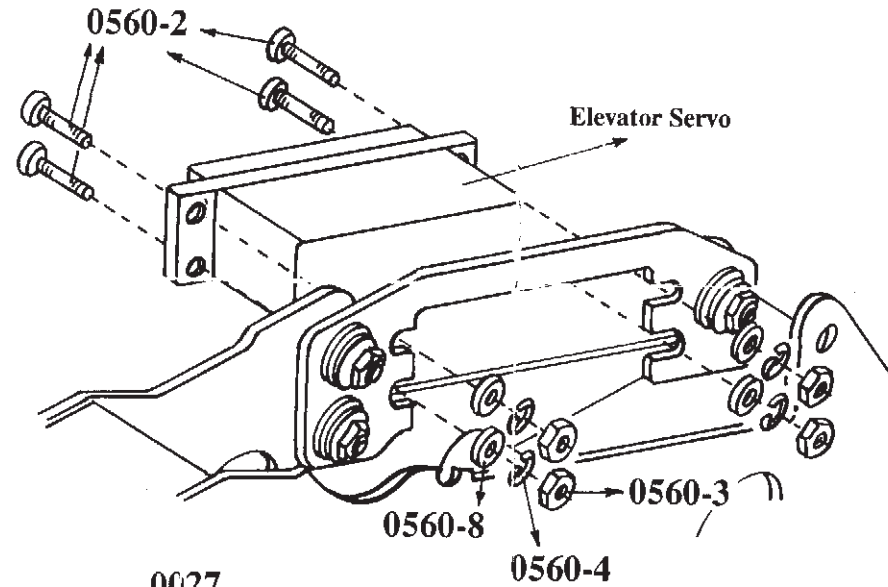




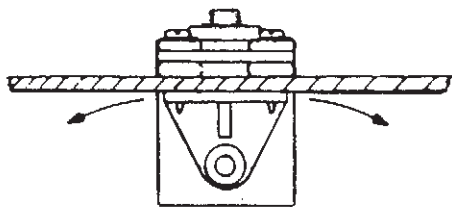
- A) Pitch (Collective)
- B) Yaw (Rudder)
- C) Roll
- D) Throttle
- E) Gyro Amplifier
- F) Battery
- G) Receiver
- H) Receiver Switch & Gyro Switch

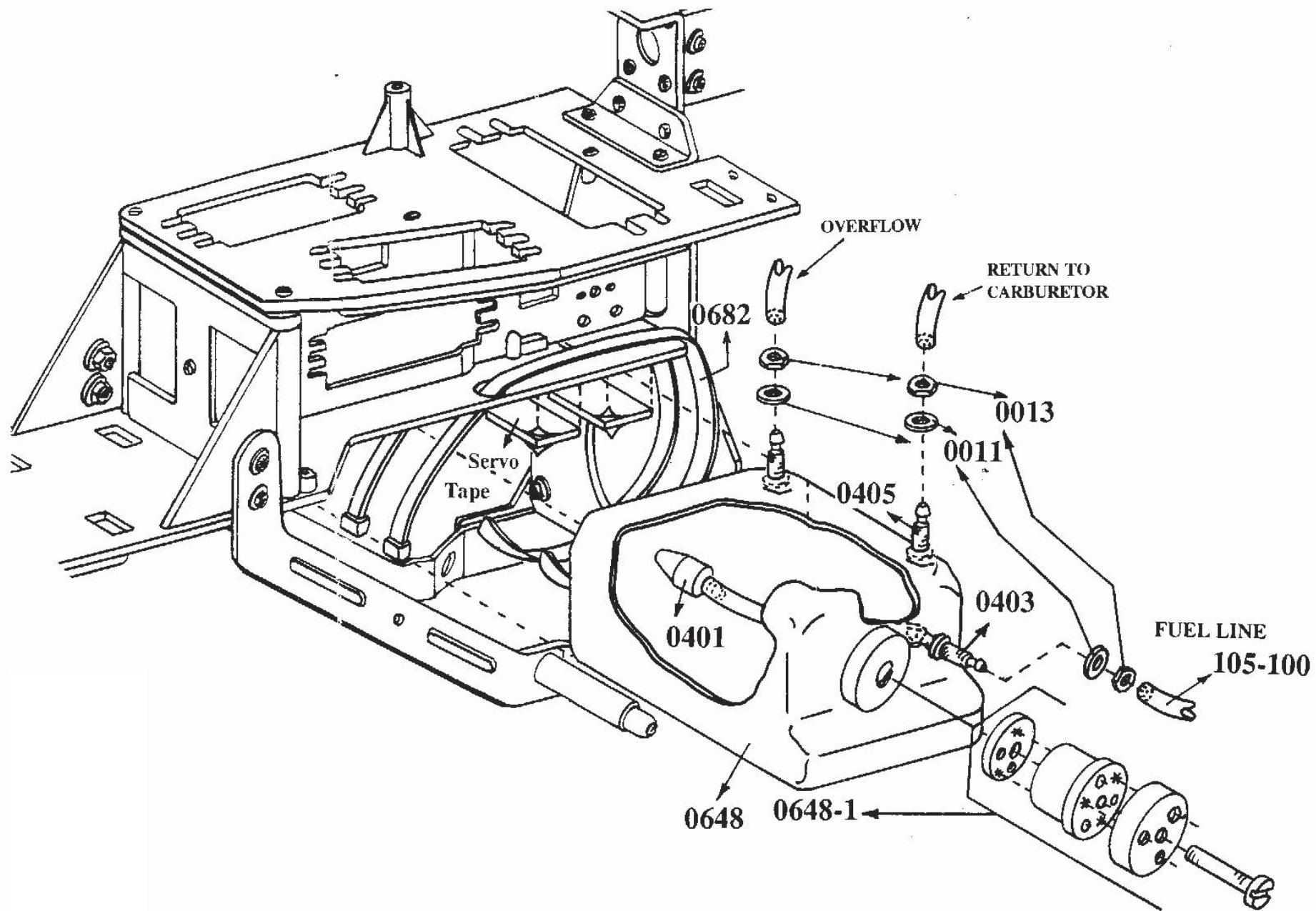


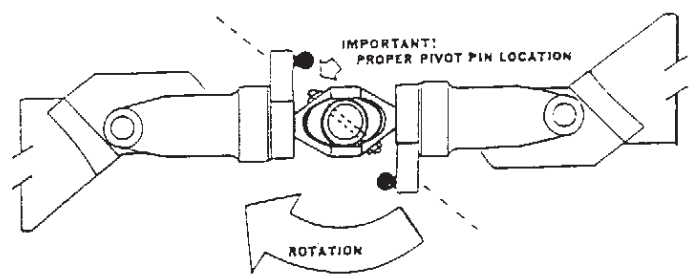
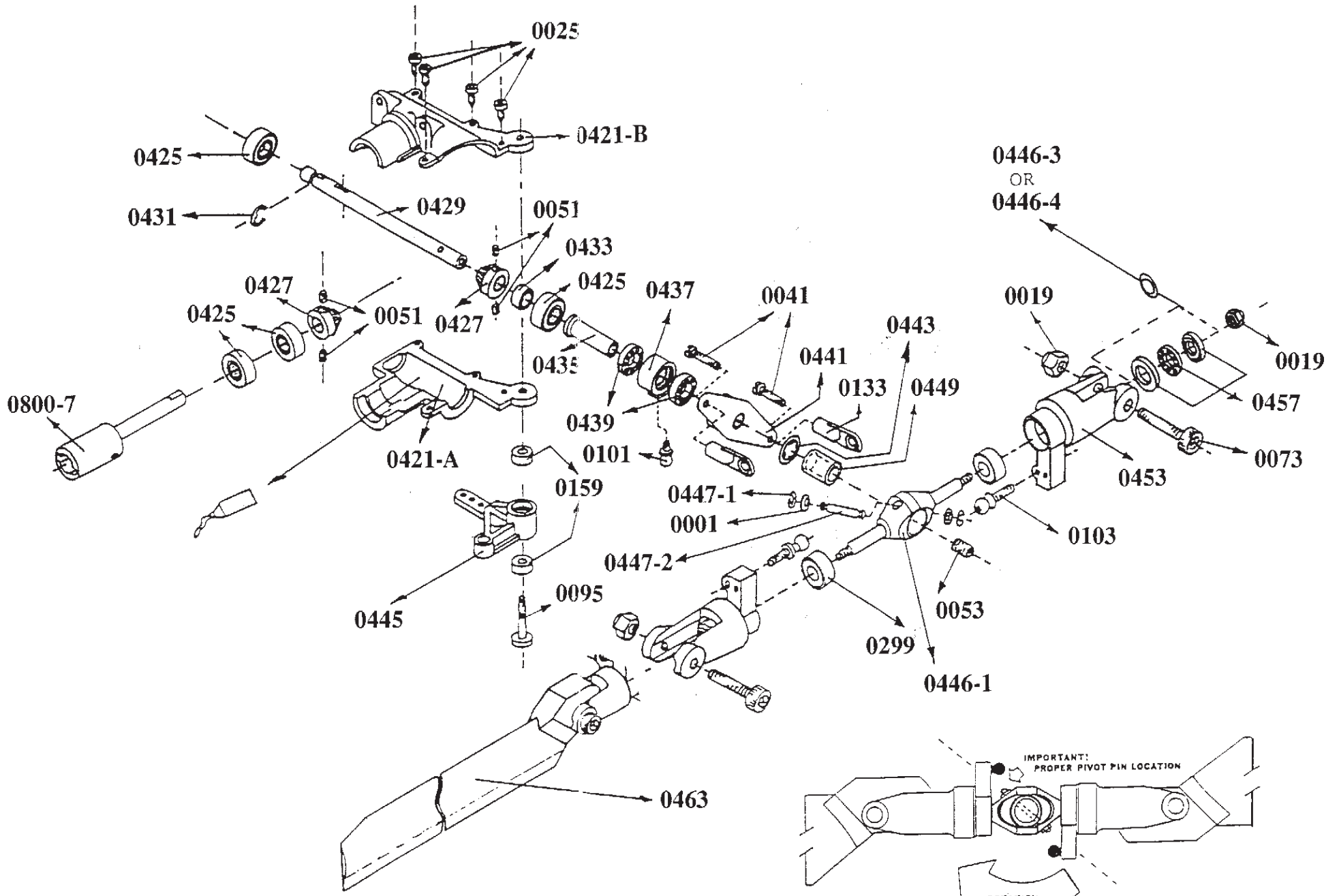


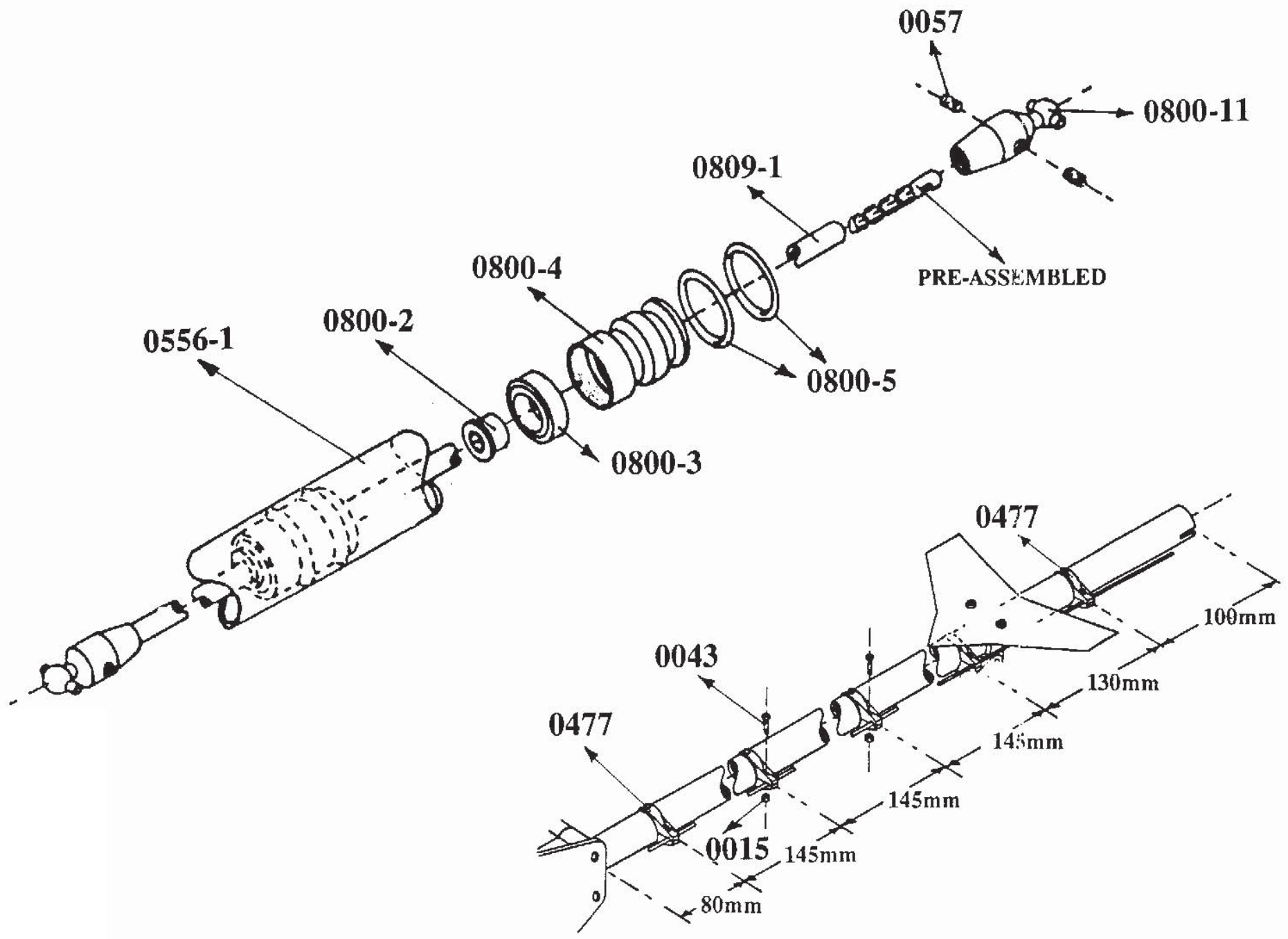


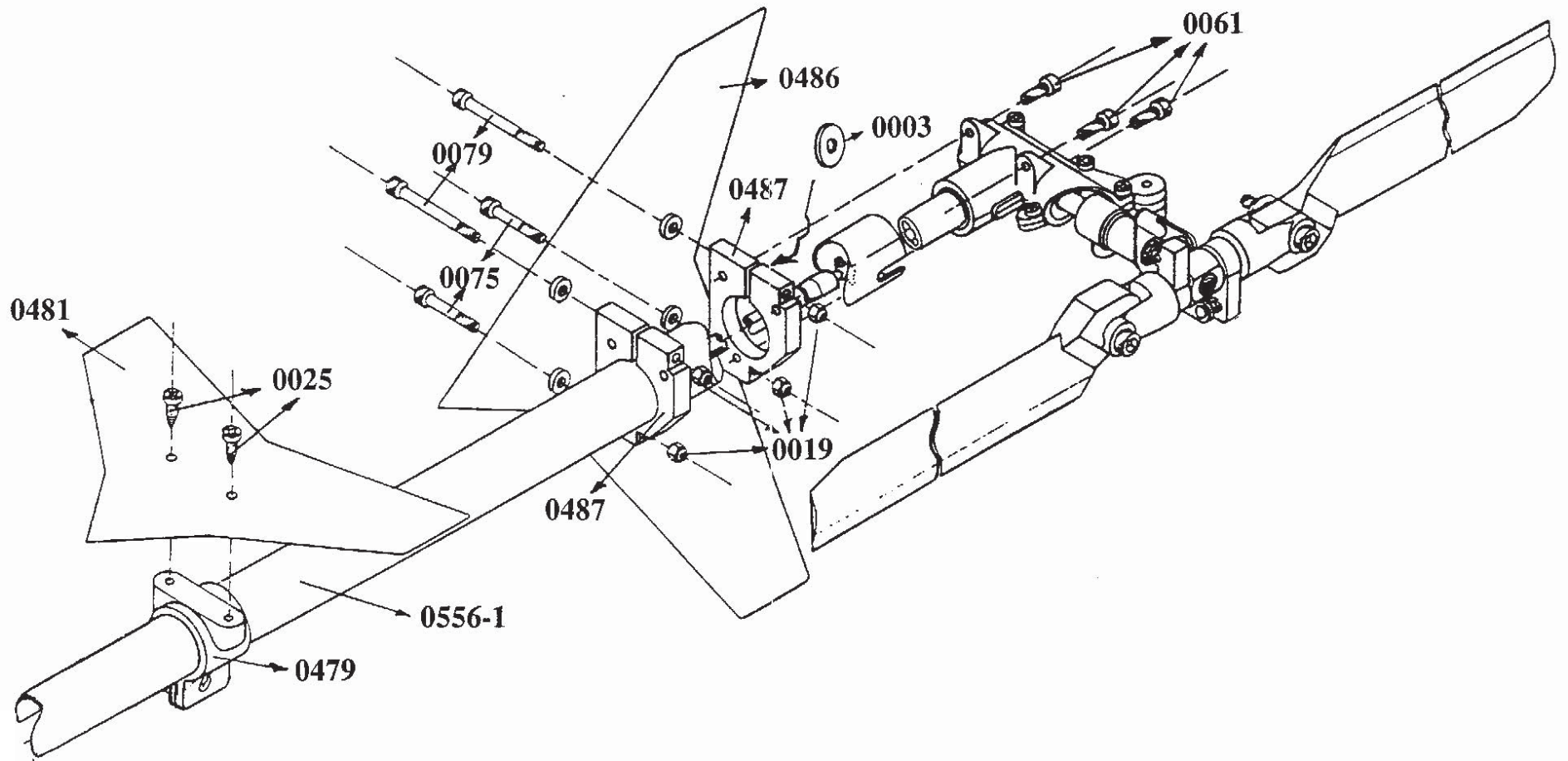
Aileron Servo

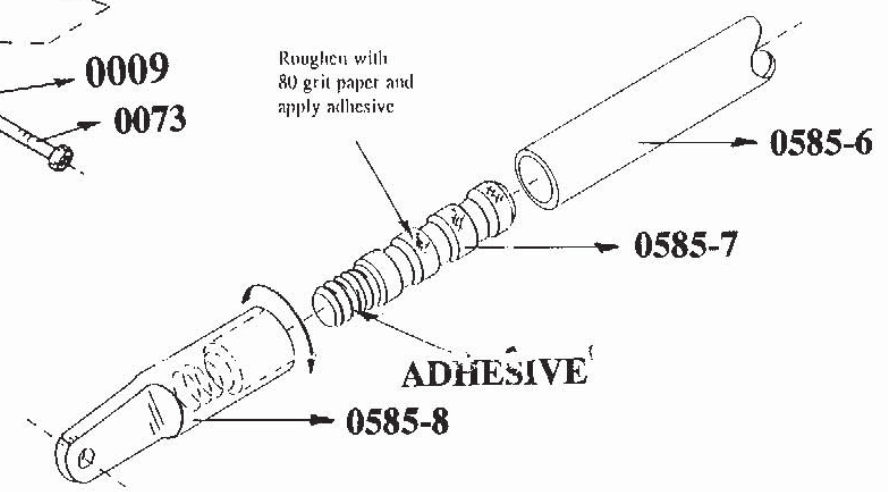
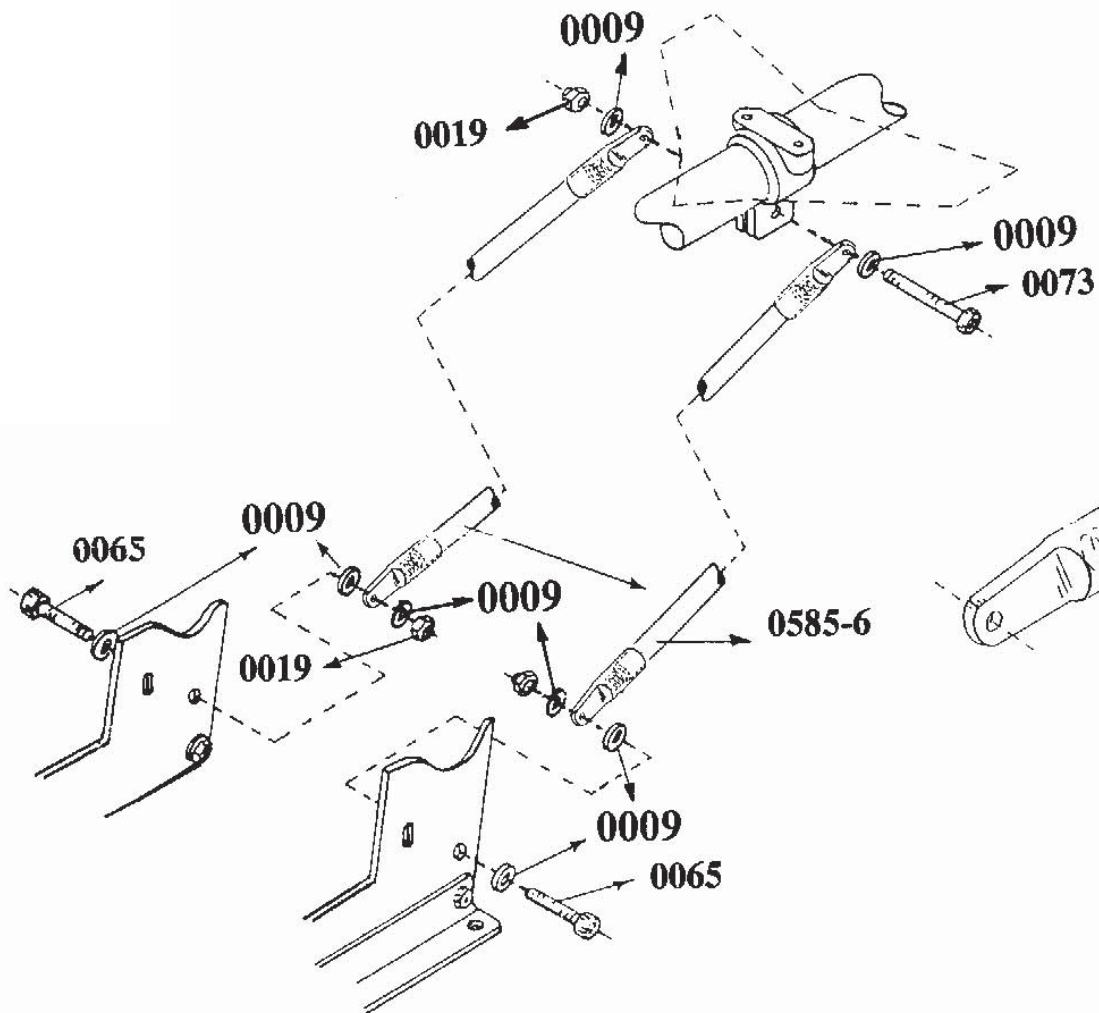
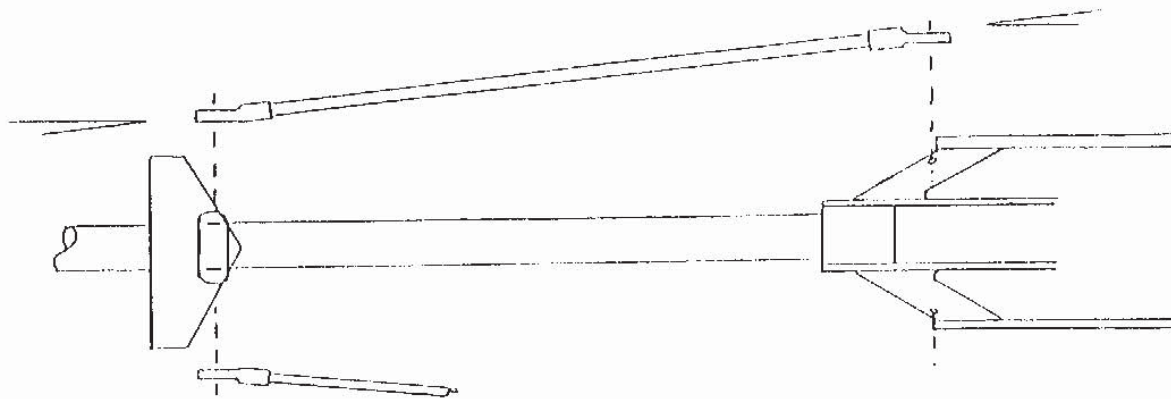


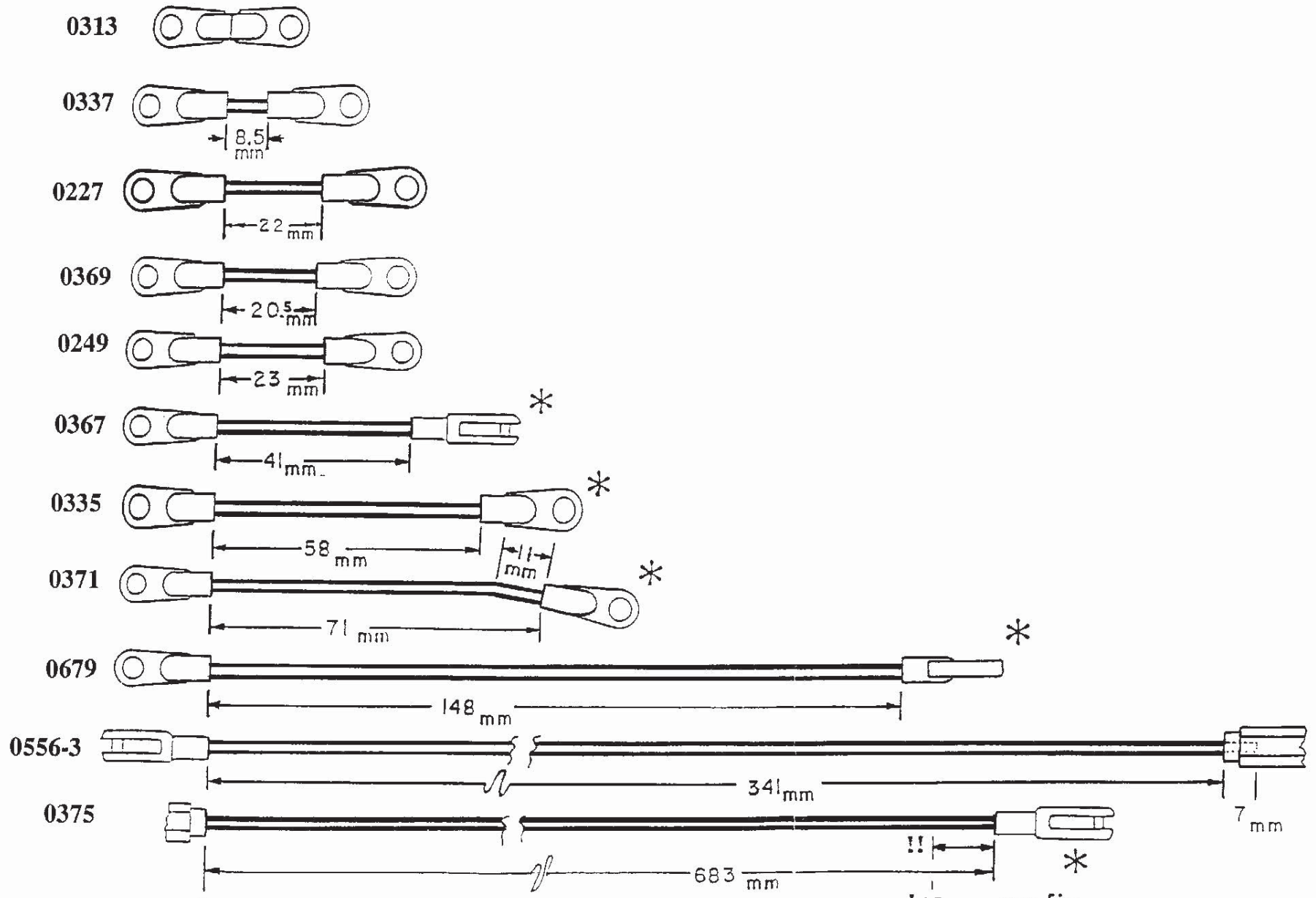




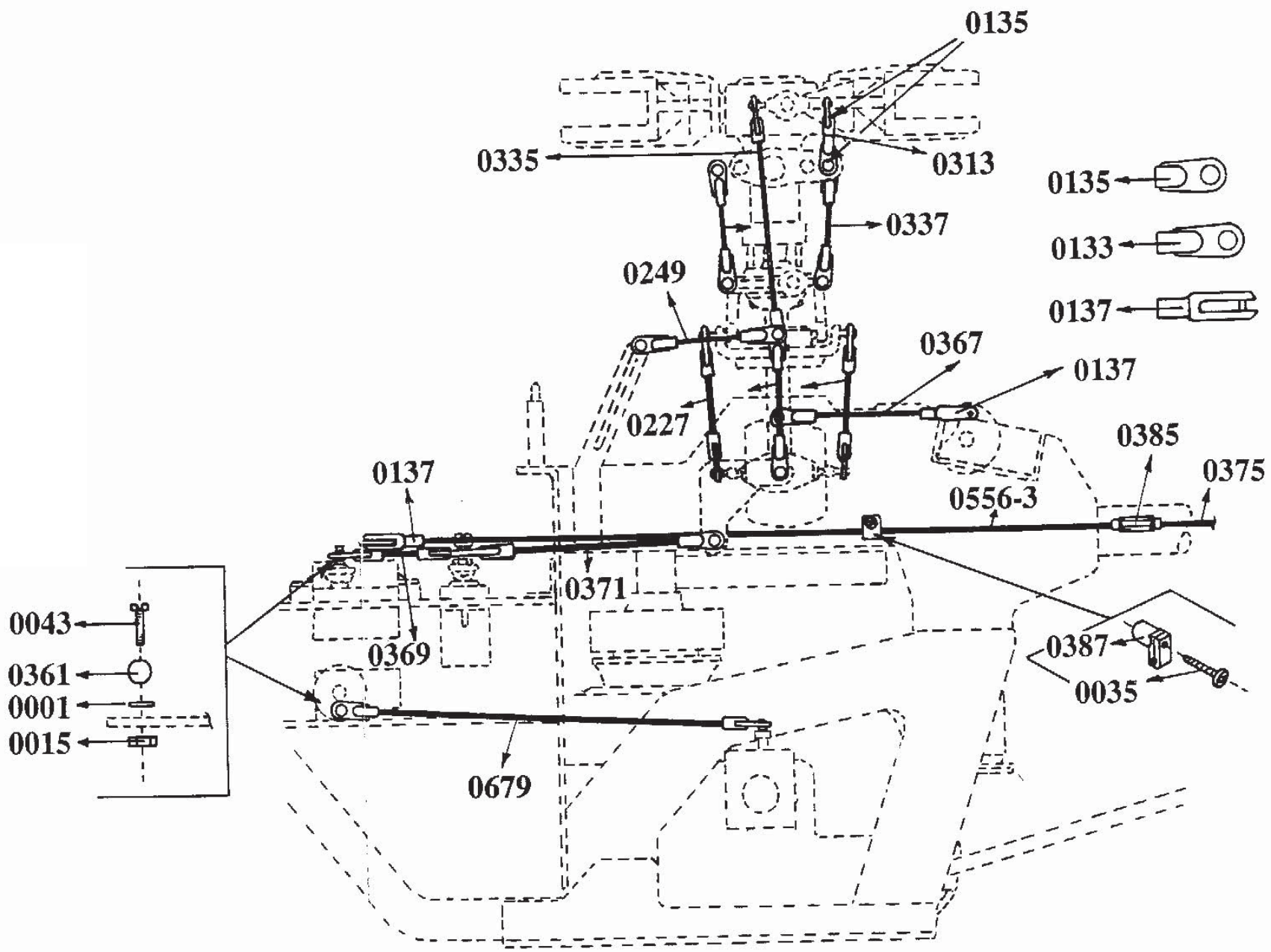


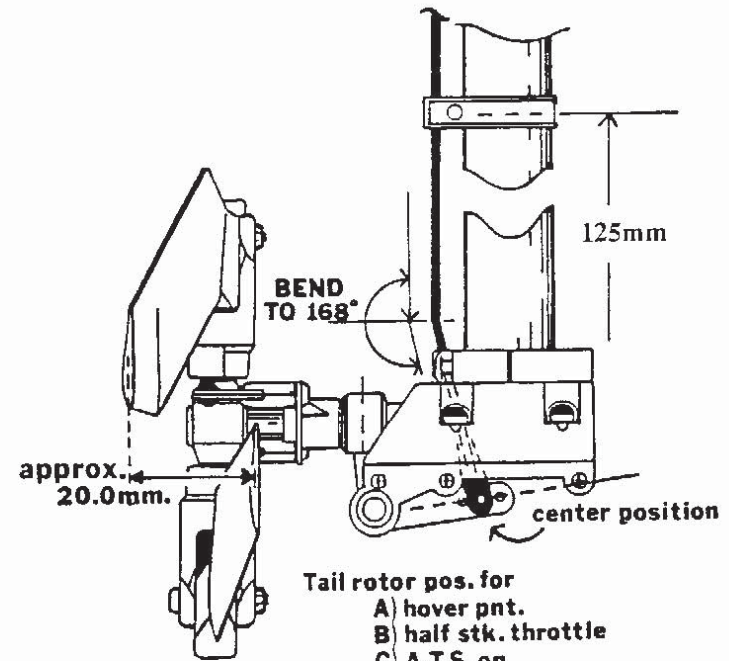
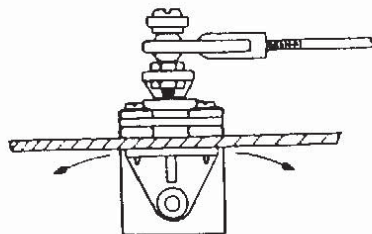
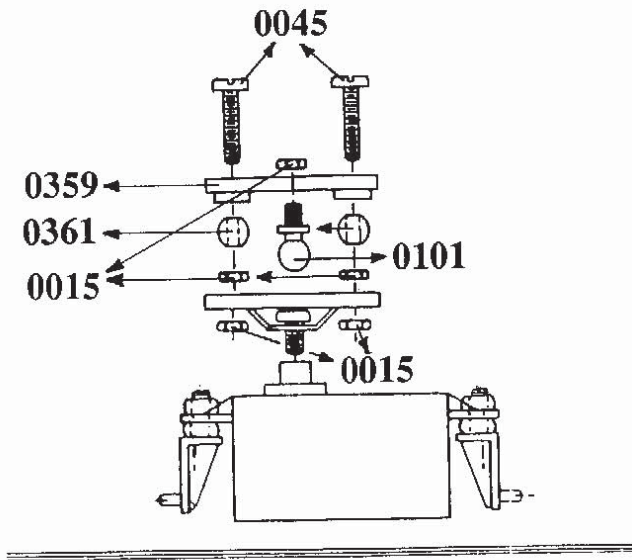
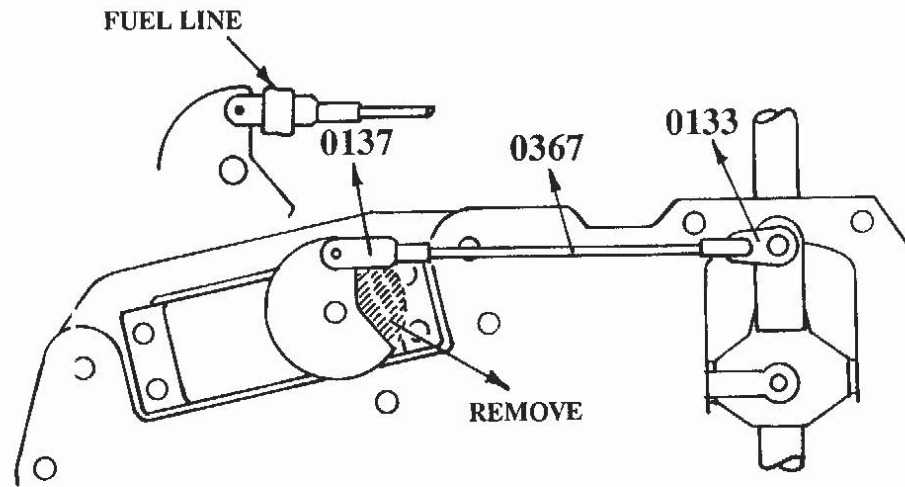






* Variable with servo choice and position.





- Tail rotor pos. for
- A) hover pnt.
 - B) half stk. throttle
 - C) A.T.S. on
 - D) neutral servo

